

⚠ WARNING

Before operating this equipment, please read this manual carefully and retain this for future reference.
This equipment may cause harm, if not installed and used in accordance with this manual.

Attention to Users

⚠ CAUTION This equipment may cause harm, if not installed and used in accordance with following instructions.

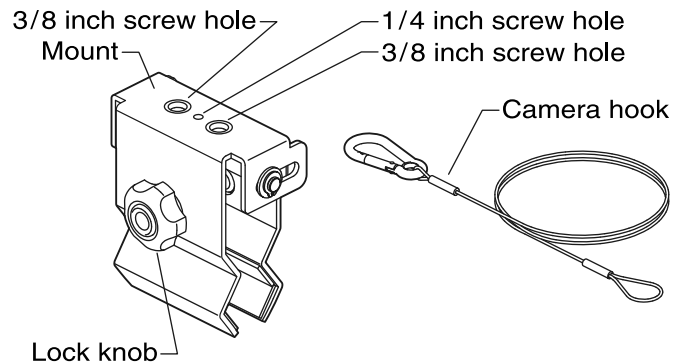
- Keep the maximum weight capacity.
When setting up this equipment more than capacity which may cause damage or harm to users.
- Firmly tighten the lock knob and camera screw, pan handle.
- Do not dismantle or modify which may cause harmful to users and itself. If any problem happened, please seek for nearest dealers.

Attachment of Camera

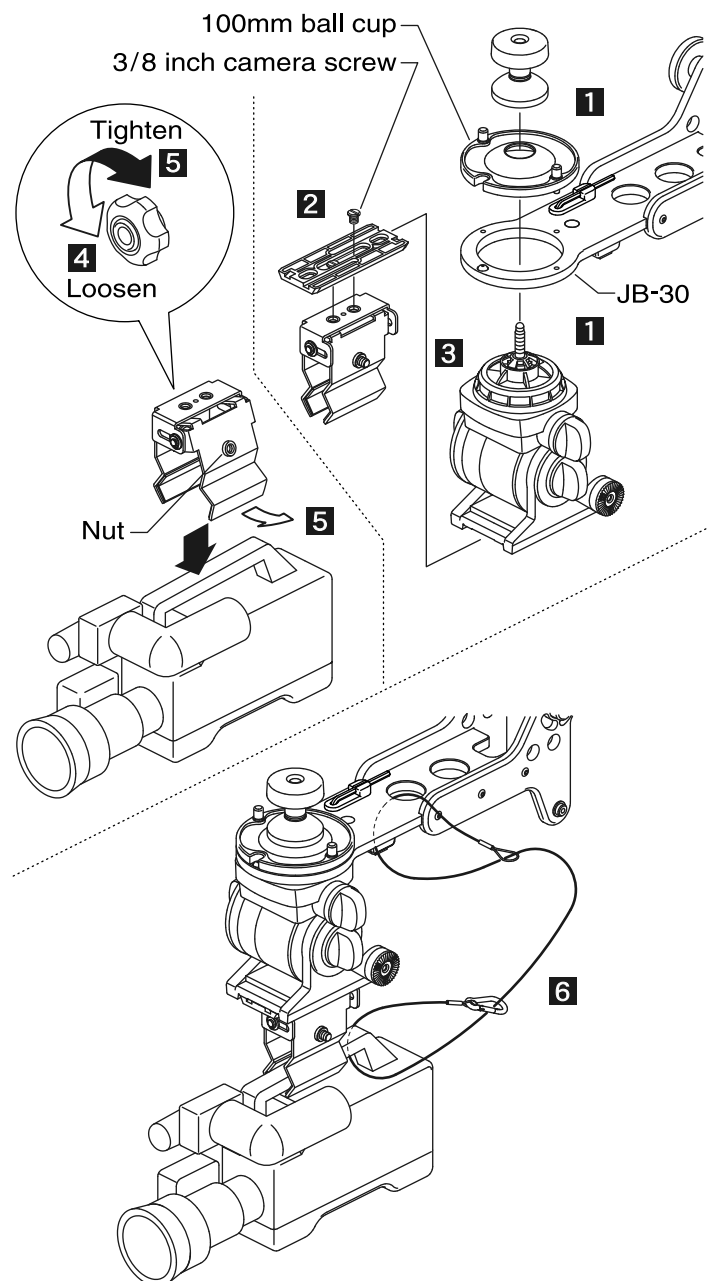
This UNDER MOUNT is especially designed for JB-30 when shooting at minimum height position. The maximum hanging camera capacity is 10kgs. Do not use over capacity camera.

- 1** First remove the 100mm ball cup from head mount platform. Then, install this 100mm ball cup as upside down.
- 2** Remove the shoe plate from the head. Then, attach on to the UNDER MOUNT with 2 camera screws.
 - Single camera screw fixing is not enough tightened.
- 3** Attach shoe plate on to the head.
- 4** Loosen the lock knob until side nut is removed.
- 5** Hold the camera grip part. Then, tighten the lock knob until firmly locked.
- 6** In order to secure the camera, please fasten camera hook for both grip handle and JB-30 head mount platform.

Description of Parts



Attachment of Camera



Manufacturer :

HEIWA SEIKI KOGYO CO.,LTD.

978-1,Nishibukuro,Yashio-City,Saitama,340-0833Japan

TEL : 048-995-1301

FAX : 048-997-0804

<http://www.libec.co.jp>